

5300H, 5302H and 5308H Series T-1 3/4 Right Angle LED Circuit Board Indicators

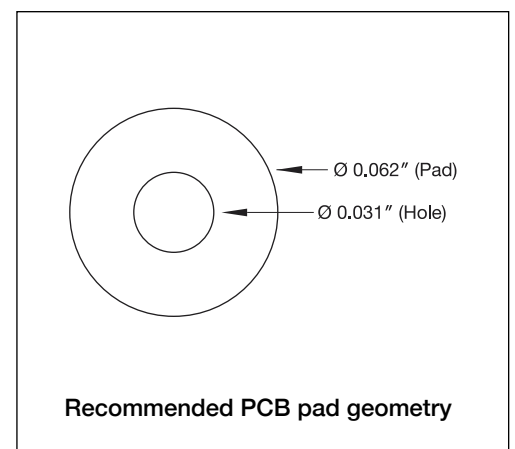
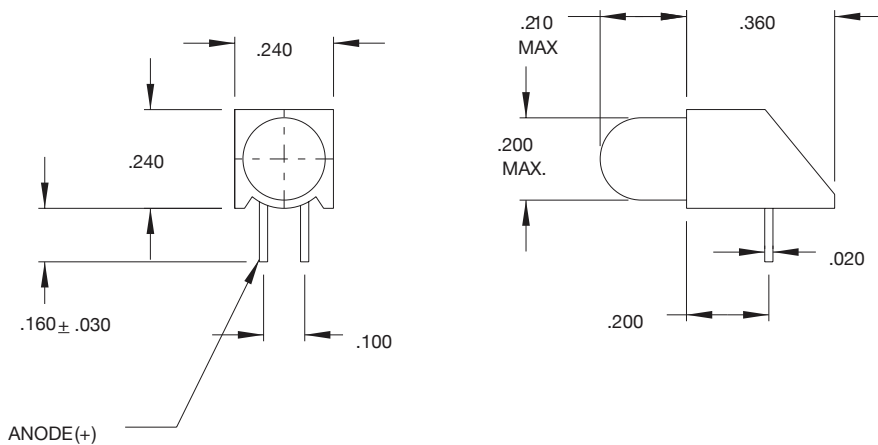


Key Features

- Block mounting height and spacing alignment saves assembly cost and time
- Full range of brightness
- Available with built-in resistor chip to eliminate the need for external resistor, operates off 5V or 12V supply
- TTL compatible
- Standoffs prevent flux entrapment
- Reach and RoHS Compliant
- Housing: Black Nylon, UL94V-O
- Diffused LED Package
- Operating Temperature: -25 to +85 (Degrees Celsius)
- Viewing Angle: 50 Degrees (5308H1 and 5308H5 has 30 Degrees Viewing Angle)
- Typical power dissipation: 5300H1 is 22mW @ 10mA, 5300H5 and 5300H7 are 22mW @ 10mA
- Typical power dissipation: 5308H1 is 42mW @ 20mA, 5308H5 and 5308H7 are 44mW @ 20mA

Product Dimensions

All dimensions in inches.



Electro-Optical Characteristics and Ratings

Part Number	Color	Typ. Intensity (mcd)	Rated Current (mA)	Continuous Forward Current Max. (mA)	Forward Voltage Typ. (V)	Forward Voltage Max. (V)	Peak Forward Current@1ms-300pps(A)	Reverse Breakdown Voltage Min. (V)	Peak Wavelength (nm)
5300H1	Red	6.3	10	60	2.0	3.0	1.0	5	650
5300H3	Amber	10	10	60	2.0	3.0	1.0	5	600
5300H5	Green	10	10	60	2.2	3.0	.09	5	563
5300H6	Blue	16.0	20	20	5.0	6.0	-	5	430
5300H7	Yellow	6.3	10	60	2.1	3.0	1.0	5	585
5308H1	Red	68	20	60	2.1	3.0	1.0	5	650
5308H5	Green	10.0	20	60	2.2	3.0	.09	5	563
5308H7	Yellow	16.0	20	60	2.2	3.0	1.0	5	585
5300H1LC	Red	2.3	2	7	1.8	2.2	.007	5	635
5300H5LC	Green	2.3	2	7	1.8	2.2	.007	5	565
5300H7LC	Yellow	2.1	2	7	1.9	2.7	.007	5	585
5302H1-5V	Red	8	10	15	5	7.5	-	5	635
5302H3-5V	Yellow	11	20	-	5	-	-	5	585
5302H5-5V	Green	8	12	15	5	7.5	-	5	565
5302H1-12V	Red	8	12	20	12.0	15.0	-	5	635
5302H3-12V	Yellow	8	12	20	12.0	15.0	-	5	583
5302H5-12V	Green	8	12	20	12.0	15.0	-	5	565