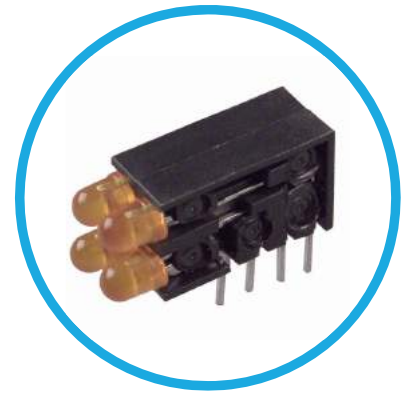




5684F Series Quad Array T-1 (3mm) LEDs Circuit Board Indicator

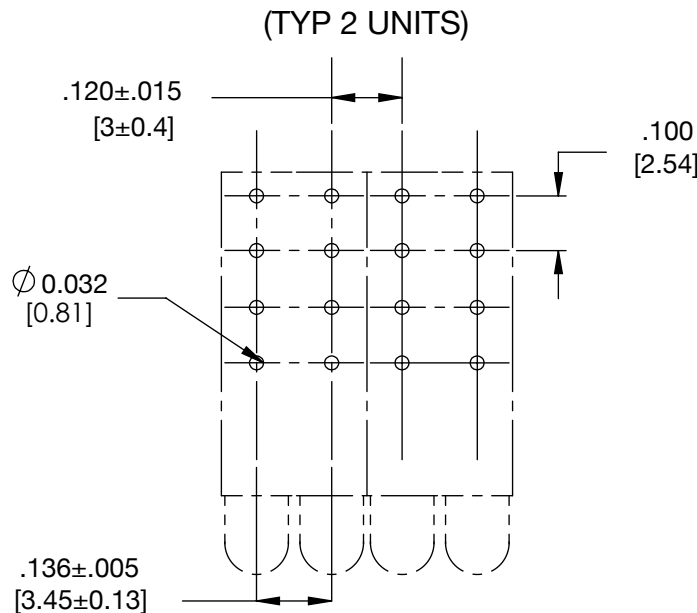


Key Features

- 4 T-1 (3mm) LEDs mounted in single block
- High density - only 0.26" wide
- Black plastic mounting block for high contrast ratio
- Meets UL 94V-Ø flammability specifications
- Available options (custom) - Low current, 5V and 12V built-in resistors and Bi-color and blue LEDs also offered
- Material (Housing): Black Thermoplastic Polyester UL94V-Ø

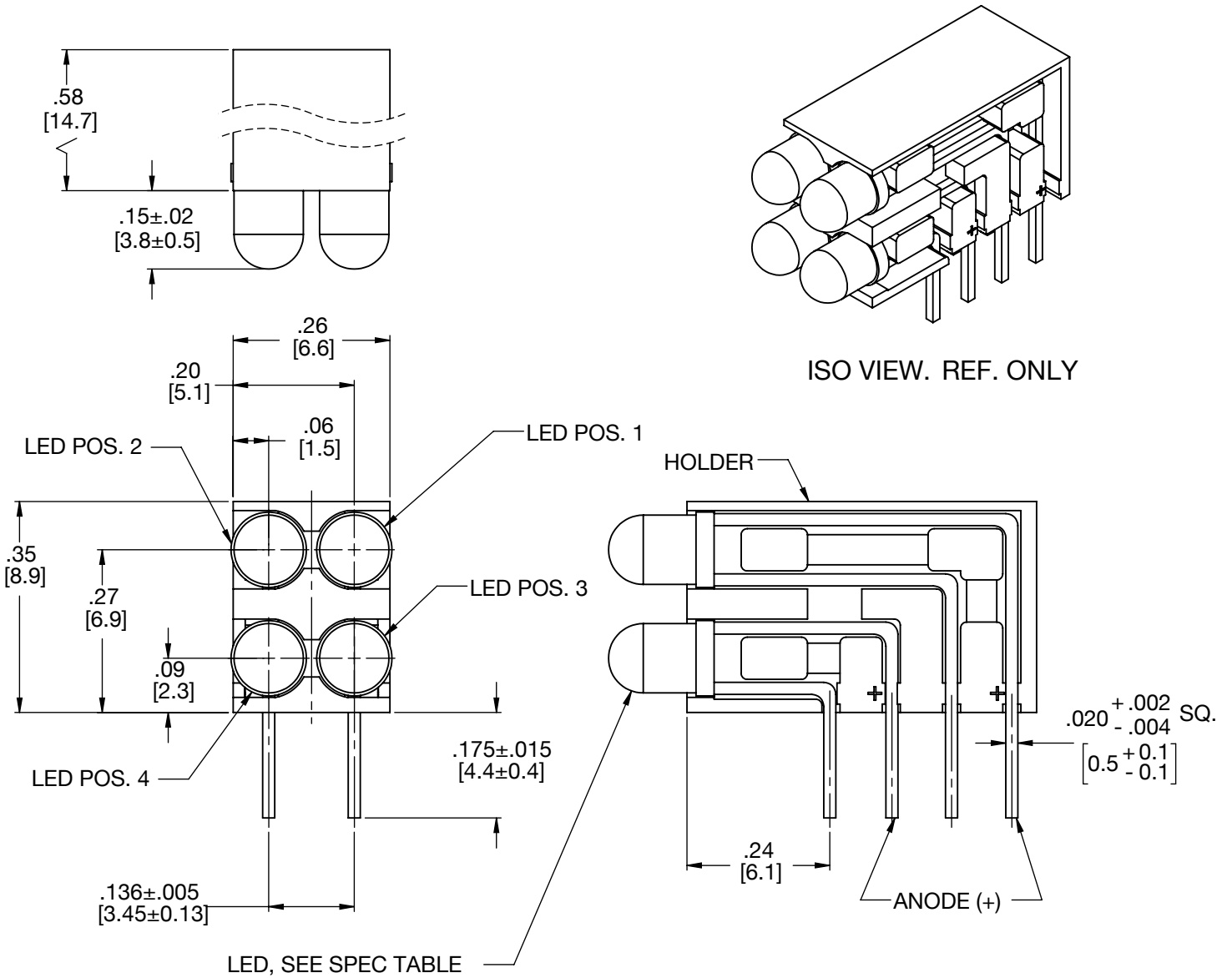
Mounting Hole Pattern

All dimensions are in inches (mm)



Product Dimensions

All dimensions are in inches (mm)



Electro-Optical Characteristics and Ratings

| Part Number | Emitted Color | Rated Current (mA) | Min. Intensity (mcd) | Continuous Forward Current Max. (mA) | Forward Voltage | | | Reverse Breakdown Voltage Min. (V) | Peak Wavelength (nm) |
|--------------|---------------|--------------------|----------------------|--------------------------------------|-----------------|----------|----------|------------------------------------|----------------------|
| | | | | | Typ. (V) | Min. (V) | Max. (V) | | |
| 5684F1_1_1_1 | Red | 10 | 8.6 | 25 | 1.9 | 1.5 | 2.4 | 5.0 | 635 |
| 5684F3_3_3_3 | Amber | 10 | 2.1 | 25 | 1.9 | 1.5 | 2.4 | 5.0 | 600 |
| 5684F5_5_5_5 | Green | 10 | 4.2 | 25 | 2.1 | 1.5 | 2.7 | 5.0 | 565 |
| 5684F7_7_7_7 | Yellow | 10 | 2.2 | 20 | 2.0 | 1.5 | 2.4 | 5.0 | 583 |

Ordering Information: Use chart below to determine model number

| | Red | Amber | Green | Yellow |
|-----|-----|-------|-------|--------|
| LED | 1 | 3 | 5 | 7 |

Model No. is as follows: 5684F _____
LED Pos. 1
LED Pos. 2
LED Pos. 3
LED Pos. 4

Example: Position 1 is green position 2 is red, position 3 is yellow, position 4 is amber.

The part number is 5684F5_1_7_3

Compliances and Approvals

