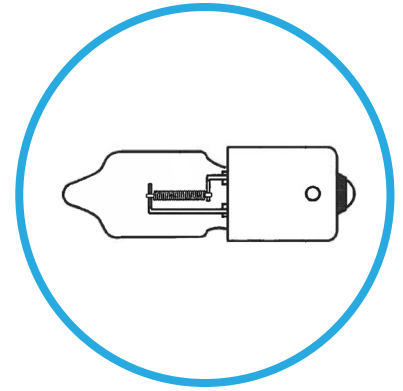
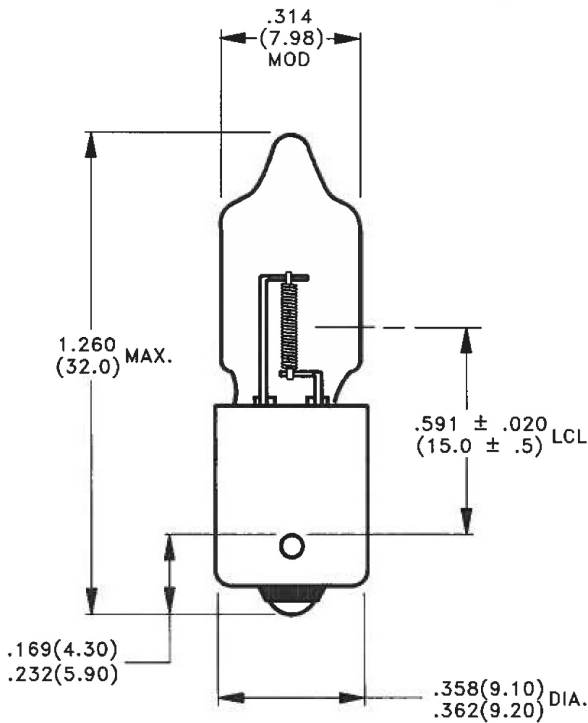


8-A187

T-2 3/4 Miniature Bayonet Base Halogen Lamp



Information



NOTES:

1. FILAMENT SHAPE MUST BE UNIFORM WITH COILS EVENLY SPACED AND FREE OF TWIST OR SHORTING.
2. BULB SHALL BE CLEAN WITH NO FOREIGN MATERIALS OR GLASS CHIPS INSIDE.
3. CENTER OF FILAMENT SHALL BE WITHIN THE CENTER 1/3 OF THE BULB.
4. LAMPS SHALL BE CAPABLE OF OPERATION AND STORAGE AT TEMPERATURES FROM -65°C TO $+100^{\circ}\text{C}$ WITHOUT DEGRADATION.
5. LAMPS SHALL BE PACKAGED IN CONTAINERS SUITABLE TO PREVENT BREAKAGE DURING SHIPMENT.
6. LAMP PART NUMBER TO BE PERMANENTLY MARKED ON LAMP BASE, COIN OR INK STAMPING ACCEPTABLE.
7. LAMP BASE NICKEL PLATED BRASS S.C. MINIATURE BAYONET.

ELECTRICAL CHARACTERISTICS					FILAMENT SHAPE
VOLTS	AMPS	WATTS	MSCP	LIFE HOURS (AVG.)	
28.0	.411	$11.50 \pm .50$	10.50 ± 1.38	2000	C-8