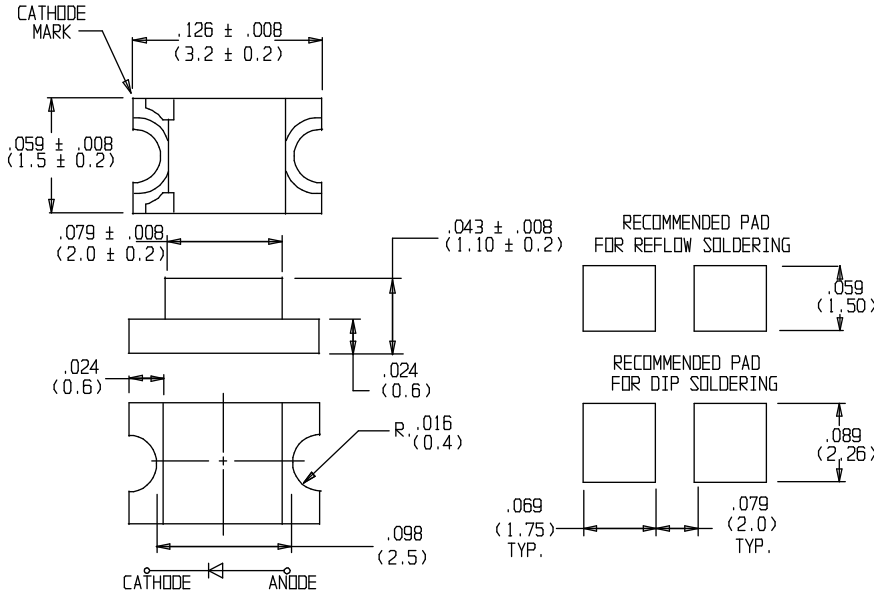




# CMD15-21 Series SMT LEDs 1206 Package Size



All dimensions are in inches (mm)

- Tape and reel packaged for high-speed autoinsertion.
- Convection and vapor-phase reflow compatible.
- Compact form enables high density placement.
- Packaged 2000 pieces per reel.
- RoHS Compliant
- Consistent high brightness.
- Integral lensing for narrow angle light dispersion.
- Stringent process controls assure quality.
- Extensive qualification testing to meet strictest requirements.
- Designed to permit easy post-reflow solder joint inspection.

## Electro-Optical Characteristics

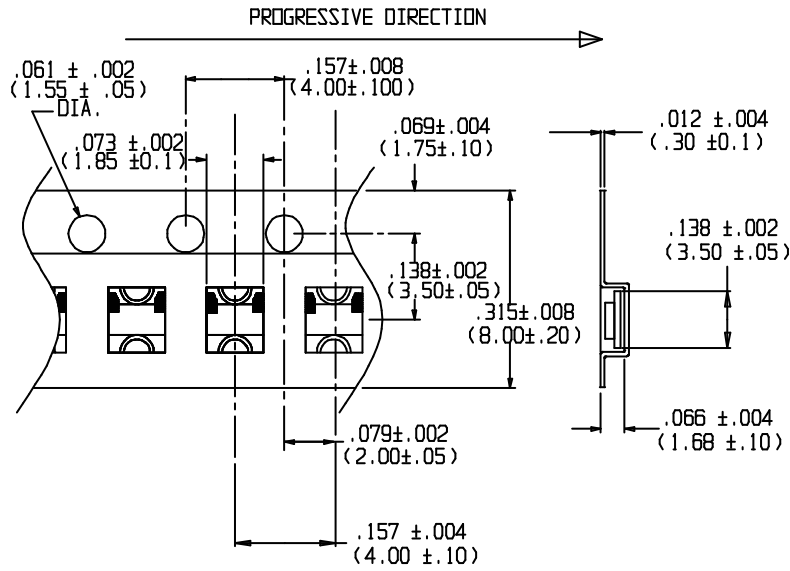
Part Number	Emitted Color	Lens Color	Luminous Intensity Forward Voltage				Test Current (mA)	Peak Wave Length (nm)
			Min. (mcd)	Typ. (mcd)	Typ. (V)	Max. (V)		
CMD15-21SRC/TR8	Super Red	Clear	6.0	15.0	1.7	2.4	20	660
CMD15-21VRC/TR8	H.E.Red	Clear	3.6	6.0	2.0	2.8	20	640
CMD15-21VYC/TR8	Yellow	Clear	3.6	6.0	2.0	2.8	20	585
CMD15-21VGC/TR8	Green	Clear	6.0	10.0	2.1	2.8	20	570
CMD15-21UBC/TR8	Blue	Clear	19.0	45.0	4.9	5.5	20	430
CMD15-21UGC/TR8	Green	Clear	7.0	12.0	2.1	2.8	20	565
CMD15-21VRD/TR8	H.E.Red	Red Diffused	2.4	4.0	2.0	2.8	20	640
CMD15-21VGD/TR8	Clear	Green Diffused	5.5	6.5	2.1	2.8	20	570
CMD15-21VYD/TR8	Clear	Yellow Diffused	3.7	4.0	2.0	2.8	20	585

## Absolute Maximum Rating

	Green	Super Red	Yellow	Units
Power Dissipation	105	105	105	mW
Storage/Operating Temperature	-40 to +85	-40 to +85	-40 to +85	°C
Peak Forward Current (1µs @ 10% duty cycle)	150	150	150	mA
Reverse Voltage (IR=100µA)	5.0	5.0	5.0	V
Lead Solder Time @ 260°C	5	5	5	Seconds
Average Forward Current	25	30	30	mA

# Product Dimensions

- Tape and reel



ALL DIMENSIONS ARE IN INCHES (mm).

