

FLX Series

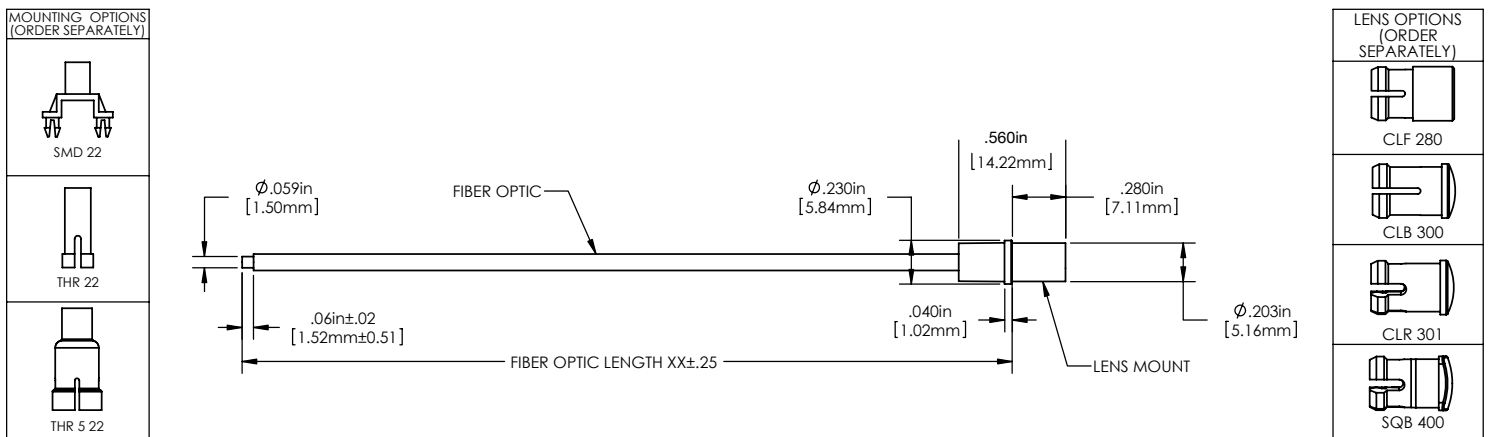
5mm Round Flexible Board Mount Light Pipe .250" Dia.



Notes

- ROHS Compliant
- **Materials**
 Fiber Optic: \varnothing 1.5mm optical core, \varnothing 2.2mm polyethylen cable jacket
 Lens Mount: Optical grade acrylic
 Led Mounts: For SMD 22 & THR 22 - Nylon 66, UL Rating 94-V2 For THR 5 22 - Nylon 66, UL Rating 94-HB
 Lens: Polycarbonate, UL Rating 94-V2
 Lens Spacer: Polypropylene
- Optical core ends polished to 10 microns
- Panel mounting hole .250" (6.35Mm) on 3/8" (9.52Mm) centers
- Panel thickness for CLF 280: 1/16" (1.60mm) to 1/8" (3.18mm); CLB 300, CLR 301 and SQB 400: 1/32" (0.79mm) to 1/4" (6.35mm)
- For panels less than 3/16" (4.76mm) use spc 125 spacer
- For added security use RNG 268
- Operating and storage temperature range: $-55^{\circ} \sim 70^{\circ}\text{C}$
- For best results use only narrow viewing angle non-diffused leds with output power greater than 100mcd
- Minimum bend radius: 60mm
- U.S. And foreign patens issued

Product Dimensions



Ordering Data

LIGHT PIPE ASSEMBLY
ORDERING CODE (EXAMPLE): **FLX XX**

LENGTH	
LENGTH CODE	ACTUAL LENGTH
02	2.0"
04	4.0"
06	6.0"
08	8.0"
12	12.0"
CUSTOM LENGTHS AVAILABLE UPON REQUEST	

Example

