



LPC Series

0.171" (4mm) Round Rigid Light Pipe with Fresnel Lens

Features 4mm round fresnel light pipe mount securely to display panel with wide viewing angle at 160 degrees

Application

- Audio/Video
- Communication
- Darkroom Equipment
- Industrial
- Medical
- IoT
- Security
- Studio control
- Transportation

Key Features

- Panel mounting hole .171" (4.34mm) Diameter
- Light pipe from .200" to .500" use grommet retainer RTN 150
- Light pipe .500" to 2.00" the spring retainer RTN 250 is recommended for rigidity
- Standoff used to adjust the height of a standard LED above the PCB to maintain a maximum - .050" clearance between Light pipe and LED
- Acrylic (Clear Optical Grade) UL 94-HB for maximum light transmission
- Wide viewing angle at 160°
- Operating Temperature: 80°C Max

Ordering Data

Series	Length Code (Min 020=.200" / Max 200=2.000")									Color	
LPC	120									CTP	
	020	038	056	074	092	112	135	157	180	CTP	Clear
	022	040	058	076	094	115	137	160	182		
	024	042	060	078	096	117	140	162	185		
	026	044	062	080	098	120	142	165	187		
	028	046	064	082	100	122	145	167	190		
	030	048	066	084	102	125	147	170	192		
	032	050	068	086	105	127	150	172	195		
	034	052	070	088	107	130	152	175	197		
	036	054	072	090	110	132	155	177	200		

Special lengths upon Request



Example:
LPC_120_CTP
 LPC Series 1.200" Length Light Pipe

Recommended Retainer for LPC Series (order separately)

Light pipe from .200" to .500" use grommet retainer RTN 150

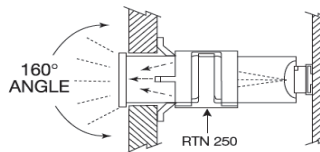
Light pipe .500" to 2.00" the spring retainer RTN 250 is recommended for rigidity



RTN 150



RTN 250

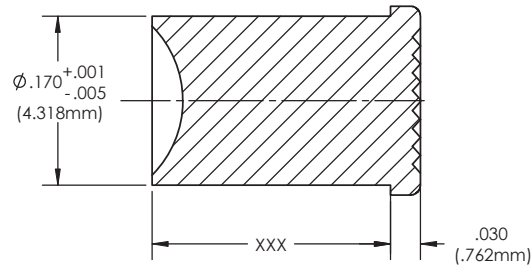
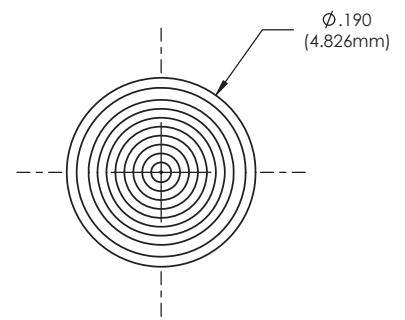
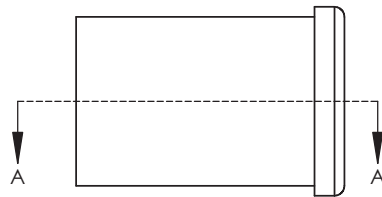
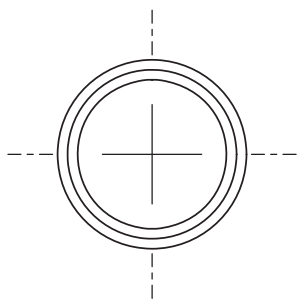


Product Specifications

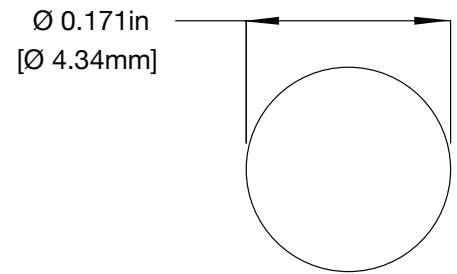
Materials
One piece Acrylic (Clear Optical Grade) UL 94-HB

Installation Specifications	
Mounting Hole	0.171" (4.34mm)
Panel Thickness (min.)	?

Product Dimensions



Recommended Mounting Hole



Compliances and Approvals

