



# LSS Series

## 3mm Moisture Sealed Rigid Linear Light Pipe

Clear Acrylic UL94-HB Light Pipe. Available in different length and colors and fit into 0.171" (4.34mm) panel hole diameter with a panel thickness of 0.031" (0.8mm) to 0.094" (2.39mm)

### Application

- Audio/Video
- Communication
- Darkroom Equipment
- Industrial
- Medical
- IoT
- Security
- Studio control
- Transportation

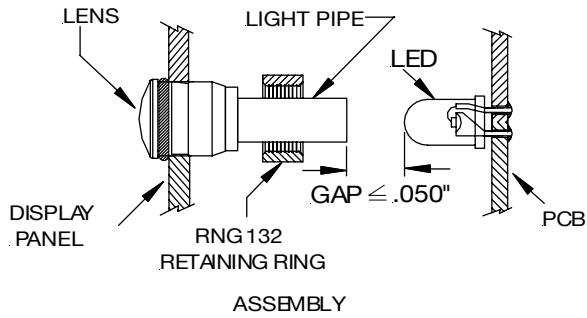
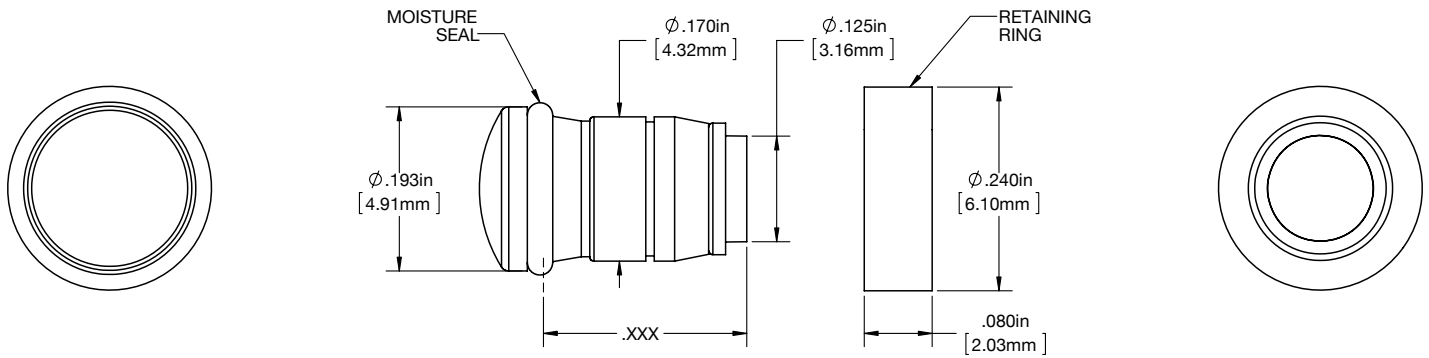
### Key Features

- ROHS Compliant
- **Materials**
  - Lightpipe - Acrylic (clear optical grade), UL 94-HB
  - Lens - Polycarbonate, UL 94-V2
  - Seal - EPDM
  - Retaining ring - Polypropylene (black)
- Mounting: Mounts in a  $\text{Ø } .171" \pm .002$   $\text{Ø } 4.34\text{mm} \pm .05$  panel hole on  $.250"$  [6.35mm] center
- Panel hole shall be deburred, but not chamfered
- Panel thickness:  $.031"$  [.8mm] to  $.094"$  [2.39mm]
- **Assembly**
  - A.) Insert light pipe through panel hole
  - B.) Press on retaining ring to secure unit to panel
  - C.) Slide PCB into position aligning LED with end of light pipe unit
- U.S and foreign patents issued
- Operation temperature:  $-30^{\circ}\text{F}$  ( $-34^{\circ}\text{C}$ ) ~  $160^{\circ}\text{F}$  ( $70^{\circ}\text{C}$ )
- Storage temperature: room temperature, between  $60^{\circ}\text{F}$  and  $80^{\circ}\text{F}$  ( $16^{\circ}\text{C}$  -  $26^{\circ}\text{C}$ )

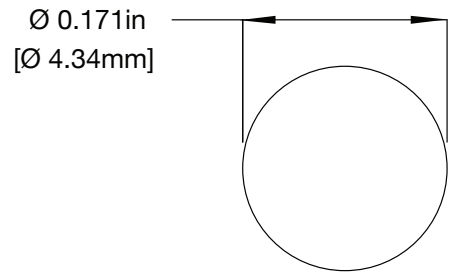
# Ordering Data

Series	Length	Lens																																		
LSS	XXX	XXX																																		
	<table border="1"> <thead> <tr> <th colspan="2">LIGHT PIPE</th> </tr> <tr> <th>XXX =</th> <th>LENGTH</th> </tr> </thead> <tbody> <tr> <td>024</td> <td>.240" (6.10mm)</td> </tr> <tr> <td>044</td> <td>.440" (11.18mm)</td> </tr> <tr> <td>064</td> <td>.640" (16.26mm)</td> </tr> <tr> <td>084</td> <td>.840" (21.34mm)</td> </tr> <tr> <td>104</td> <td>1.04" (26.4mm)</td> </tr> <tr> <td>124</td> <td>1.24" (31.5mm)</td> </tr> <tr> <td colspan="2">CUSTOM LENGTHS AVAILABLE UPON REQUEST</td> </tr> </tbody> </table>	LIGHT PIPE		XXX =	LENGTH	024	.240" (6.10mm)	044	.440" (11.18mm)	064	.640" (16.26mm)	084	.840" (21.34mm)	104	1.04" (26.4mm)	124	1.24" (31.5mm)	CUSTOM LENGTHS AVAILABLE UPON REQUEST		<table border="1"> <thead> <tr> <th colspan="2">LENS</th> </tr> <tr> <th>XXX =</th> <th>COLOR</th> </tr> </thead> <tbody> <tr> <td>RTP</td> <td>RED TRANSPARENT</td> </tr> <tr> <td>ATP</td> <td>AMBER TRANSPARENT</td> </tr> <tr> <td>GTP</td> <td>GREEN TRANSPARENT</td> </tr> <tr> <td>BTP</td> <td>BLUE TRANSPARENT</td> </tr> <tr> <td>YTP</td> <td>YELLOW TRANSPARENT</td> </tr> <tr> <td>CTP</td> <td>CLEAR TRANSPARENT</td> </tr> </tbody> </table>	LENS		XXX =	COLOR	RTP	RED TRANSPARENT	ATP	AMBER TRANSPARENT	GTP	GREEN TRANSPARENT	BTP	BLUE TRANSPARENT	YTP	YELLOW TRANSPARENT	CTP	CLEAR TRANSPARENT
LIGHT PIPE																																				
XXX =	LENGTH																																			
024	.240" (6.10mm)																																			
044	.440" (11.18mm)																																			
064	.640" (16.26mm)																																			
084	.840" (21.34mm)																																			
104	1.04" (26.4mm)																																			
124	1.24" (31.5mm)																																			
CUSTOM LENGTHS AVAILABLE UPON REQUEST																																				
LENS																																				
XXX =	COLOR																																			
RTP	RED TRANSPARENT																																			
ATP	AMBER TRANSPARENT																																			
GTP	GREEN TRANSPARENT																																			
BTP	BLUE TRANSPARENT																																			
YTP	YELLOW TRANSPARENT																																			
CTP	CLEAR TRANSPARENT																																			

# Product Dimensions



## Recommended Mounting Hole



# Compliances and Approvals

