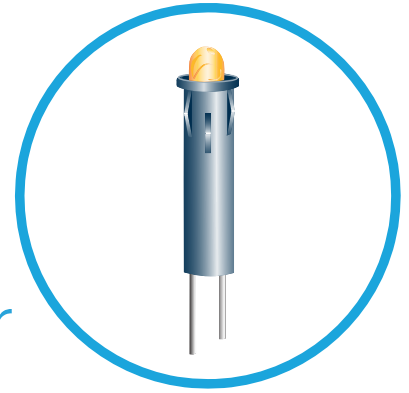




P205 Series

0.156" (3.96mm)

Snap-in LED Panel Mount Indicator



Prominent snap-in LED indicator, single color or bi-color LED
Voltage: 2-28VDC

Key features

- Mounting hole size: .155" (3.94mm) to .158" (4.01mm)
- For panels .031" (.79mm) to .125" (3.18mm) thick
- Prominent with black bezel that enhances the LED contrast
- T-1 (3mm) LED
- Voltage: 2-28 VDC
- Terminals: Bi-pin or wire leads (6" wire leads, 24 AWG)
- Available with a variety of LEDs including AlInGaP and InGaN technology for high brightness applications, single color, bi-color and with integrated resistors
- Available in five LED single colors: red, amber, green, blue and white
- Available in one bi-color: red/green
- Low power consumption - uses up to 90% less energy than an incandescent indicator
- Front panel snap-in mounting requires no additional hardware
- LEDs operate significantly cooler than traditional lamps
- Compliant with RoHS and REACH

- Mounting Diameter .155"(3.94) to .158"(4.01) - For Panels .031"(.79) to .125" (3.18) Thick
- For Detailed LED Data, See Discrete Section, MODEL 125

1	Model	Wires
	P205	W (optional)

TO ORDER, FOLLOW THE EXAMPLE:

Select one BOLD component from each numbered category in the tables below.					
1	Model	2	LED	3	Voltage
	P205		-BCR		2

→Part Number **P205-BCR2**

STANDARD INTENSITY - DIFFUSED ENCAPSULATION						
2	LED	Color	λ_{pk} (nm)	$I_v^{[1]}$ (mcd)	Viewing Angle	V/C Table ^[3]
	-BR	RED	635	14	60	I
	-BA	AMB	583	14	60	I
	-BG	GRN	565	14	60	I

Voltage/Current	
Design Vf/If	Max Vf/If
V/C Table I	
5V/22mA	5.5V/28mA
12V/20mA	14V/25mA
15V/24mA	16.5V/28mA
24V/17mA	26V/20mA
28V/16.5mA	30V/18mA

3	Voltage^[4]
	2
	5H
	12H
	15H
	24H
	28H

MEDIUM INTENSITY - TINTED ENCAPSULATION					
LED	Color	λ_{pk} (nm)	$I_v^{[1]}$ (mcd)	Viewing Angle	V/C Table ^[3]
-BCR	RED	635	60	45	I
-BCA	AMB	583	30	45	I
-BCG	GRN	565	44	45	I

Voltage/Current	
Design Vf/If	Max Vf/If
V/C Table II	
5V/15mA	5.5V/23mA
12V/15mA	14V/20mA
15V/15mA	16.5V/18mA
24V/15mA	26V/18mA
28V/15mA	30V/17mA

HIGH INTENSITY - WATERCLEAR ENCAPSULATION					
LED	Color	λ_{pk} (nm)	$I_v^{[1]}$ (mcd)	Viewing Angle	V/C Table ^[3]
-NWR	RED	634	2180	35	I
-NWA	AMB	592	2180	35	I
-NWG	GRN	520	2000	45	II
-NWB	BLU	465	600	45	II
-NWW	WHT		1100	55	II

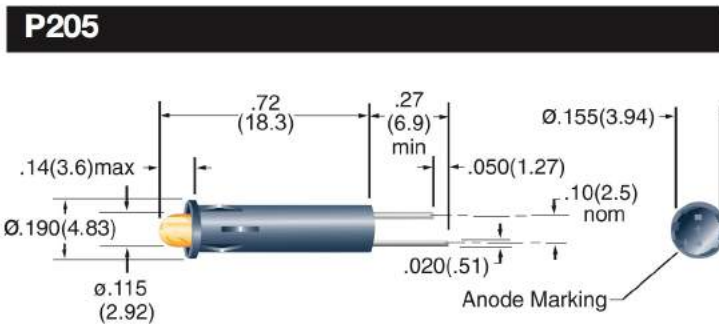
SPECIALTY LEDs						
LED	Color	λ_{pk} (nm)	$I_v^{[1]}$ (mcd)	Viewing Angle	V/C Table ^[3]	Description
-RLP ^[2]	RED	635	2.1	50	I	Low Power
-ALP ^[2]	AMB	583	1.6	50	I	Low Power
-GLP ^[2]	GRN	565	2.1	50	I	Low Power
-DRG	RED/GRN	635/567	4.3/3.7	118	I	Bi-Color, Red Cathode

[1] I_v = typical luminous intensity @ $I_f = 20mA$ ($T_a = 25^\circ C$), Low Power LEDs @ $I_f = 2mA$. Bi-color LEDs @ $I_f = 10mA$.

[2] Omit the H when selecting a voltage. (e.g. P205-RLP12).

[3] See Voltage/Current table for design specifications. Design current for low power LEDs = 2mA.

[4] $T_a = 25^\circ C$. Voltage "2" indicates external resistor required. Voltages 5H through 28H are VDC. For AC operation, insert D after Voltage (e.g. 24HD). D indicates built-in rectifier; not required for 5H. Bi-Color not available in AC voltages.



Standard Wire Leads:

6.0" total length(nominal)/.50" stripped (nominal), red anode/black cathode, 24 AWG TPB UL1061 insulation. Contact factory for other lengths, gauges and colors.

All dimensions are in inches (mm)

Tolerances: $.xx$ "(.x) $\pm .025$ "(.63) / $.xxx$ "(.xx) $\pm .010$ "(.25)
Specifications are subject to change without notice.