

# PCH125 Series

## T-1 PCB Mount LEDs



1 Model	
PCH125	Right Angle Mount
PCH125-200	Right Angle Mount
PCV125	Vertical Mount
PCV125-200	Vertical Mount

**TO ORDER, FOLLOW THE EXAMPLE:**

Select one **BOLD** component from each SHADED column in the tables below.

1 Model	2 LED
PCH125	<b>-BCA</b>

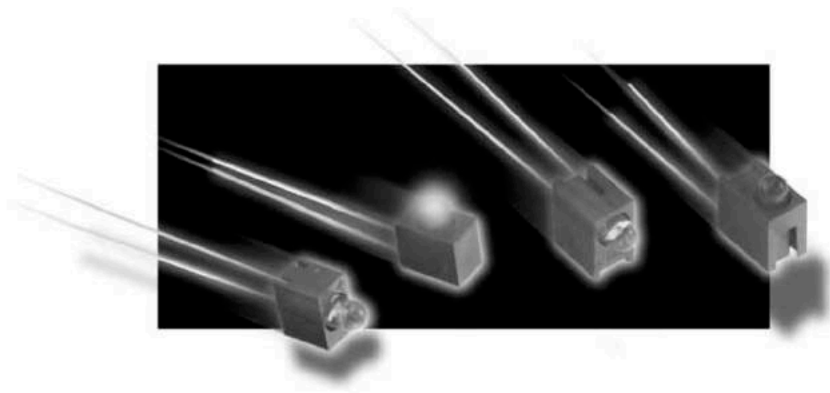
→Part Number **PCH125-BCA**

2 STANDARD INTENSITY - DIFFUSED ENCAPSULATION				
LED	Color	$\lambda_{pk}$ (nm)	$I_v^{[1]}$ (mcd)	Viewing Angle
<b>-BR</b>	RED	635	14	60
<b>-BA</b>	AMB	583	14	60
<b>-BG</b>	GRN	565	14	60

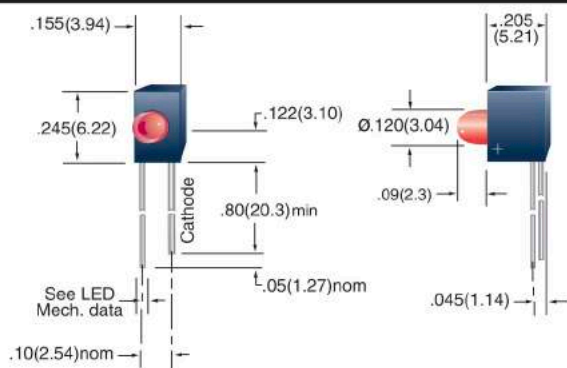
MEDIUM INTENSITY - TINTED ENCAPSULATION				
LED	Color	$\lambda_{pk}$ (nm)	$I_v^{[1]}$ (mcd)	Viewing Angle
<b>-BCR</b>	RED	635	60	45
<b>-BCA</b>	AMB	583	30	45
<b>-BCG</b>	GRN	565	44	45

SPECIALTY LEDs					
LED	Color	$\lambda_{pk}$ (nm)	$I_v^{[1]}$ (mcd)	Viewing Angle	Description
<b>-RLP</b>	RED	635	2.1	50	Low Power
<b>-ALP</b>	AMB	583	1.6	50	Low Power
<b>-GLP</b>	GRN	565	2.1	50	Low Power
<b>-DRG</b>	RED/GRN	635/567	4.3/3.7	118	Bi-Color, Cathode on right, longer lead
<b>-BR5V</b>	RED	635	8	60	Integrated Resistor for 5VDC
<b>-BA5V</b>	AMB	583	8	60	Integrated Resistor for 5VDC
<b>-BG5V</b>	GRN	565	8	60	Integrated Resistor for 5VDC
<b>-BR12V</b>	RED	635	8	60	Integrated Resistor for 12VDC
<b>-BA12V</b>	AMB	583	8	60	Integrated Resistor for 12VDC
<b>-BG12V</b>	GRN	565	8	60	Integrated Resistor for 12VDC

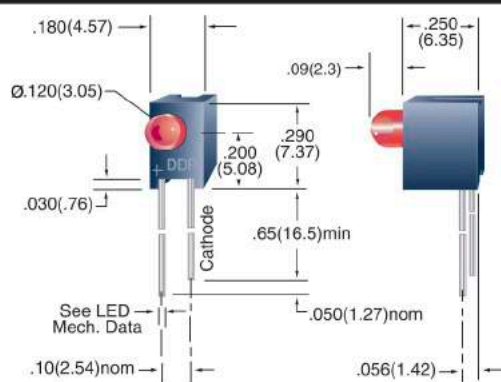
[1]  $I_v$  = typical luminous intensity @  $I_f = 20\text{mA}$  ( $T_a = 25^\circ\text{C}$ ), Low Power LEDs @  $I_f = 2\text{mA}$ , Integrated Resistor LEDs @  $V_f = 5\text{VDC}$  or @  $V_f = 12\text{VDC}$ , Bi-color LEDs @  $I_f = 10\text{mA}$ .



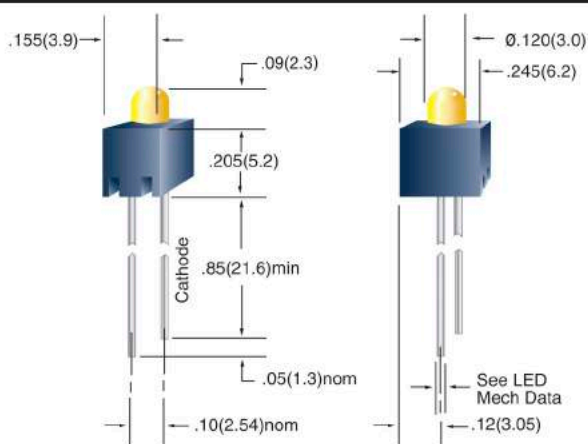
### PCH125



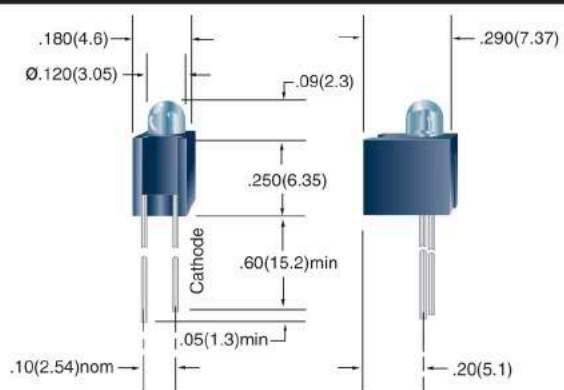
### PCH125-200



### PCV125



### PCV125-200



**All dimensions are in inches (mm)**  
 Tolerances: .xx"(x) ±.025"(.63) / .xxx"(.xx)±.010"(.25)  
 Specifications are subject to change without notice.