



SMD_4 PCB Light Pipe Mount for LPCM 4mm Light Pipe



Key features

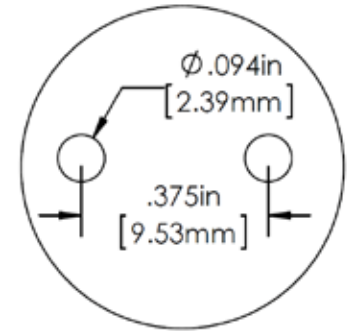
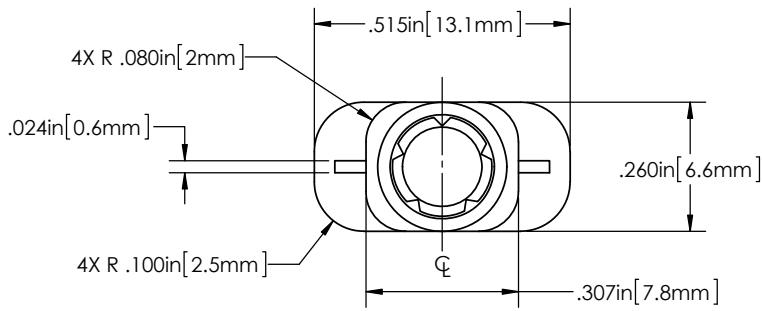
- Fits LPCM Light Pipe
- Mates to any PCB
- Secure placement of the light pipe to the PCB
- The PCB mount is fixed onto a PCB by two press-in lugs in the housing, offering an easy set-up process
- Efficient production assembly
- The adapter is mounted directly to the PCB
- Press fit mounting
- Vertical surface mount
- REACH and RoHS compliant

Product specifications

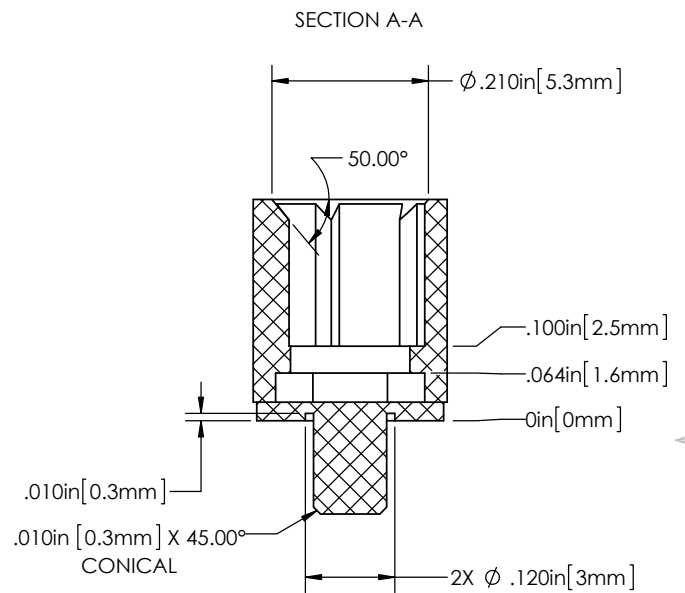
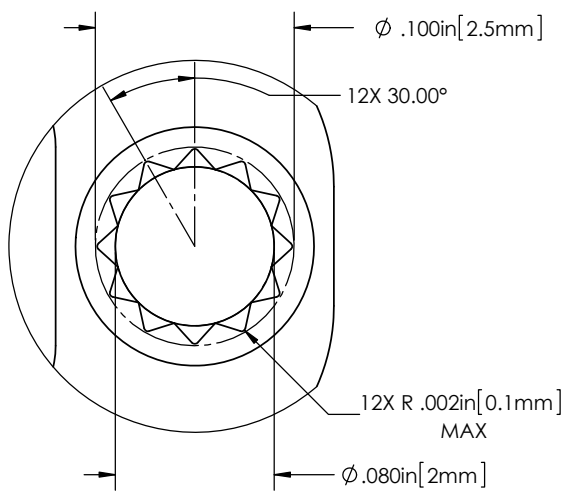
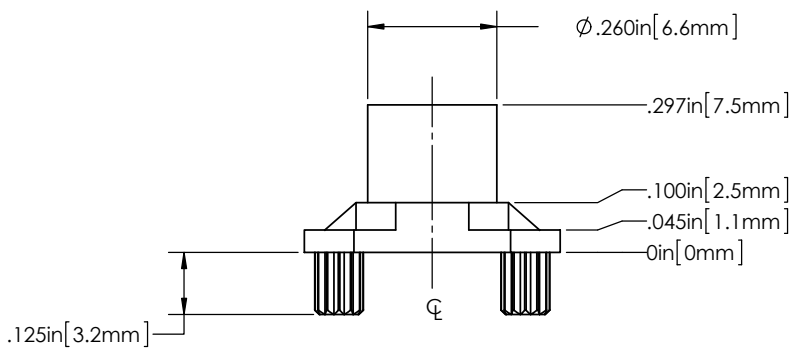
Material	
SMD 4 (PCB mount)	nylon, (black) UL rating 94-V2

Dimensions

Dimensions are in inches [mm]

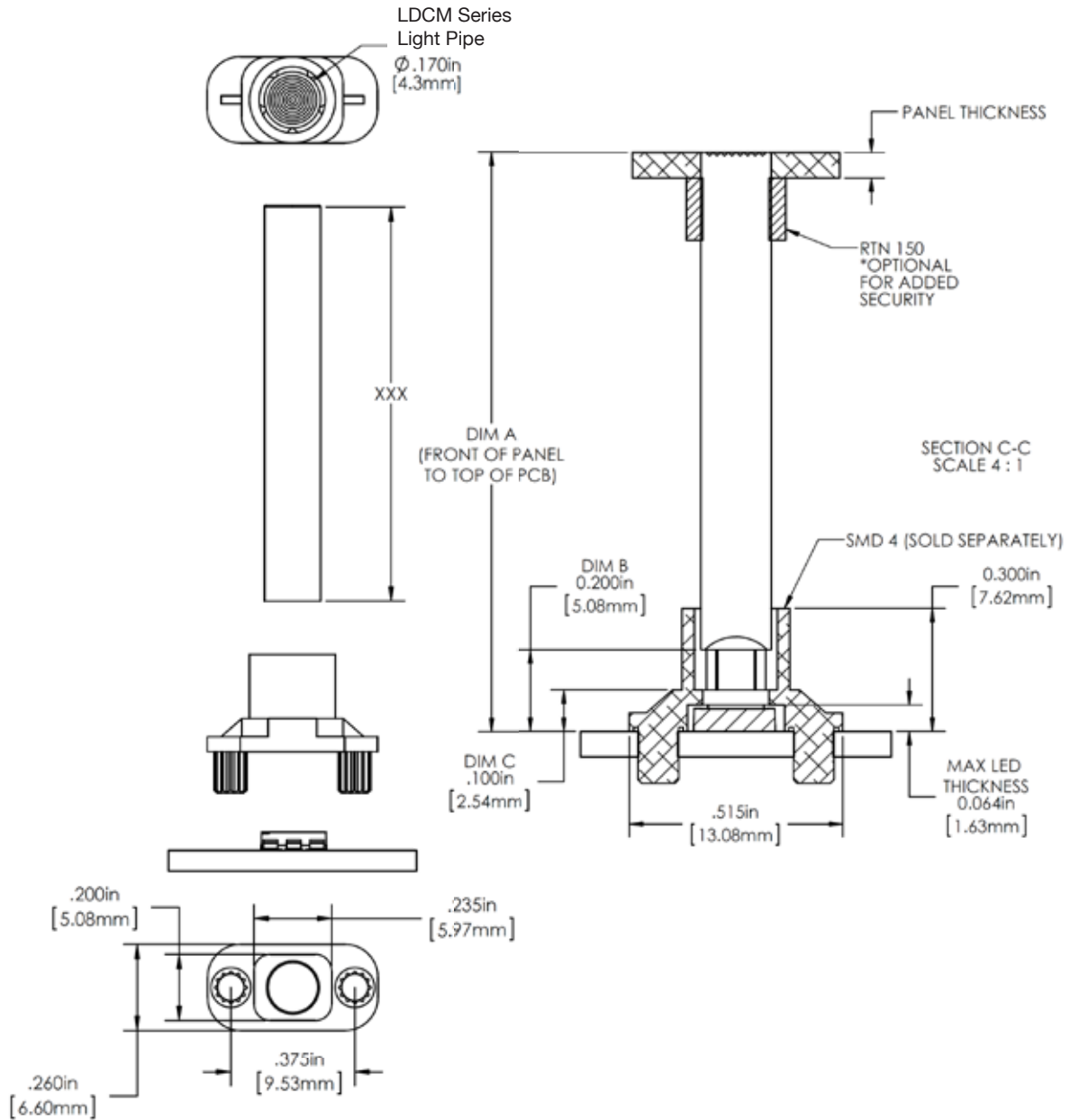


PCB HOLE SIZE AND CENTER TO CENTER SPACING



Dimensions

Dimensions are in inches [mm]



Compliances and Approvals

