



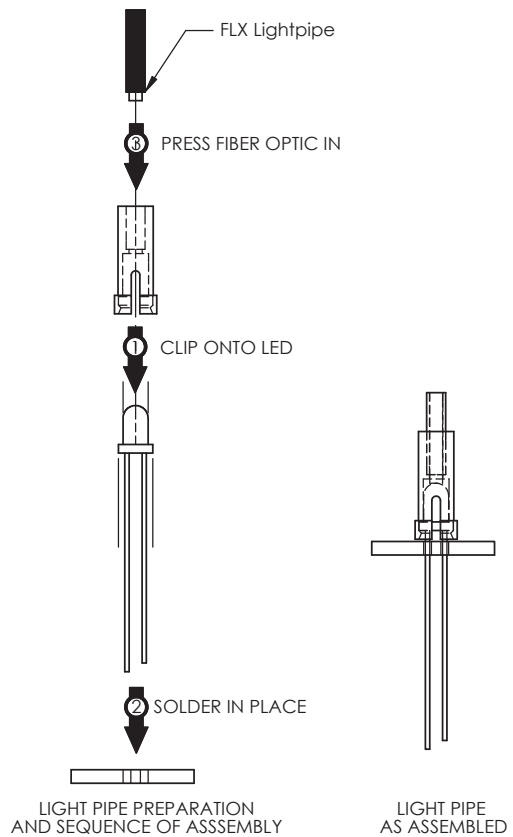
# THR\_22 Coupler for 3mm Through-hole LED



## Technical Specifications

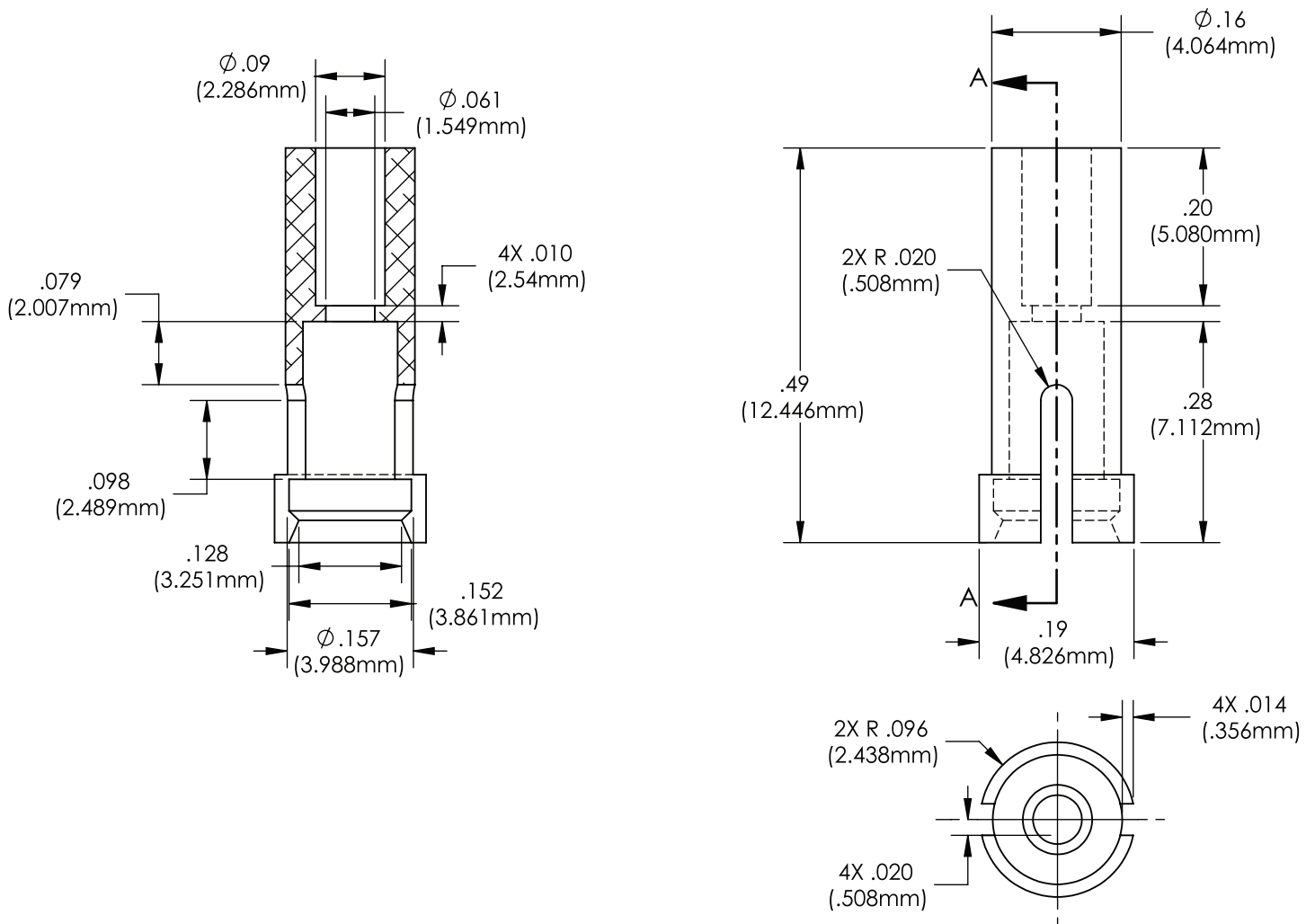
Material	Nylon 6/6, Black UL 94 V-2
----------	-------------------------------

Temperature Specifications	
Operating Temperature	-40°C to +85°C -40°F to +185°F



These LED couplers are suitable for use with VCC FLX series flexible lightpipe assemblies, resulting in a highly efficient coupling between LED and lightpipe. For best results use non-diffused narrow viewing angle with an output power greater than 100mcd. Suitable for all light pipe mounts and terminations using a light pipe with 2.2 mm outside diameter. Do not wave solder this part.

## Product Dimensions



Dimensions in inches (millimeters)

General Tolerances  
 X.X =  $\pm .250"$  (6.35mm)  
 X.XX =  $\pm .127"$  (3.23mm)  
 X.XXX =  $\pm .025"$  (0.64mm)

## Compliances and Approvals

