

Snapfit Indicator Lights for 5/16" Dia. Mounting Hole

39U SERIES

- SNAPFIT NEON, LED & INCANDESCENT INDICATOR LIGHTS WITH BEZEL
- 5/16" DIA. MOUNTING HOLE • 6" WIRE LEADS
- WHITE NYLON HOUSING WITH MOUNTING EARS FOR SECURE MOUNTING
- 2 TO 250 DESIGN VOLTS • HI-HAT OR FLUSH LENS
- VARIETY OF COLORS
- UL LISTED • UL FILE E20356

Overview

The 39U Series Indicators feature a wide variety of lens colors and bezel variations. 39U Series Indicators are designed with mounting ears for a snap fit in a 5/16", (7.93mm) mounting hole. Recommended panel thickness range .020" minimum to .060" maximum.

Specifications

Housing: white nylon. A black housing is available.

Lens: polycarbonate.

Bezel: zinc plated brass. A black anodized bezel is available.

Incandescent AC or DC voltage options: 6, 14 and 28 volts.

Neon AC or DC voltage options: 125 and 250 volts.
Note: high brightness green and blue neon lamps supplied in green and blue neon applications.

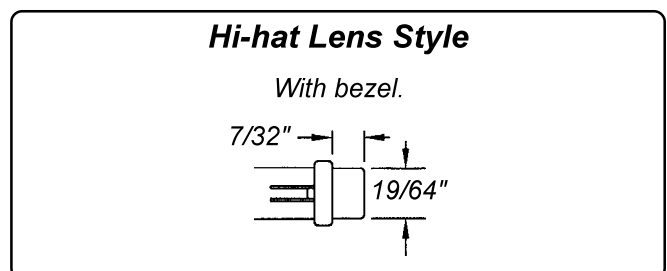
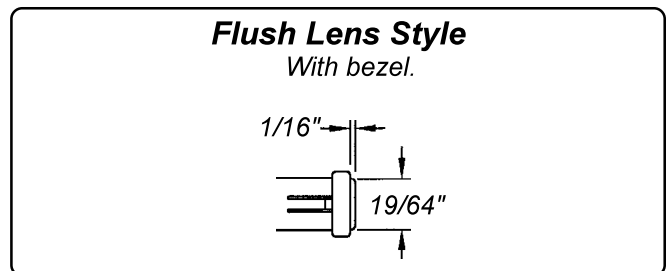
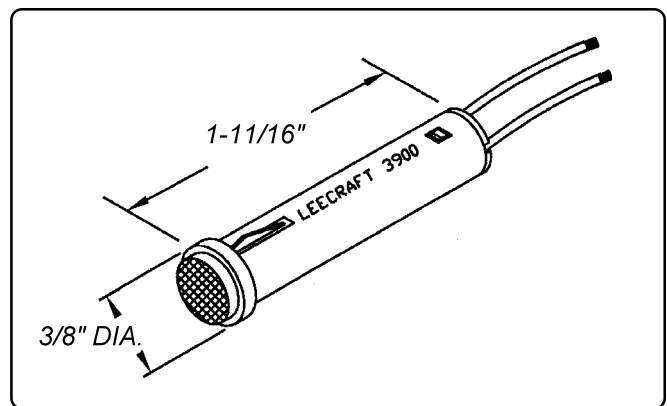
LED DC voltage options: 2, 6, 12, 24 volts.

LED AC voltage options: 125 volts.

Note: 125 volts AC units contain a bi-polar LED.

Two 6" wire leads: #20 AWG, black, bare copper, PVC insulated, UL/CSA rated 105°C, 600 V, UL style 1015, stripped 1/2". For DC LED units, wire leads are color-coded red and black; the red wire lead denotes the anode (+) while a black wire lead identifies the cathode (-). For AC LED units, wire leads are white. Custom wire lengths, stripping, termination and wire types are available.

A Special Order Speednut is available:
8700091688.

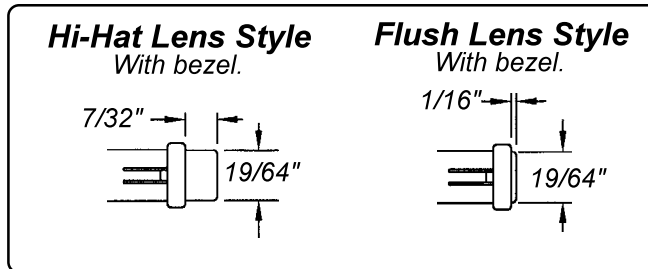


Can't find it here? We have many more standard and custom solutions

For further information, phone Customer Service at 800.522.5546.

Snapfit Indicator Lights for 5/16" Dia. Mounting Hole

39U SERIES
Zinc Plated Bezel
Hi-Hat or Flush Lens
Neon or
Incandescent
6 to 250 Design Volts

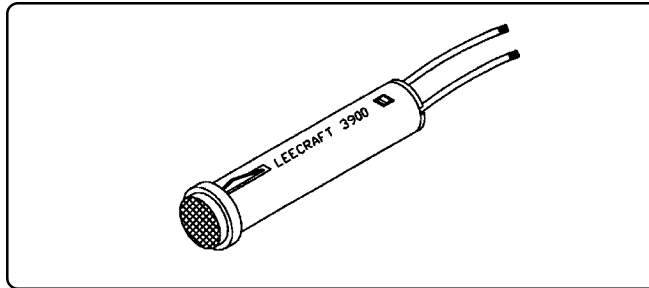


6" Wire Leads
White Housing
Mounting Ears
Variety of
Lens Colors
Snapfit Mounting

Part Number With Hi-Hat Lens	Part Number With Flush Lens	Lens Color	Lamp Type	Design Volts	Design Watts or Amps	Life (hrs)
39UR-2111	39UR-2311	Red	Neon	125	1/3W	25,000
39UHR-2111	39UHR-2311	Red	Neon	250	1/3W	25,000
39URG1-2111	39URG1-2311	Red	Incandescent	6	.20A	5,000
39URG3-2111	39URG3-2311	Red	Incandescent	14	.10A	10,000
39URG18-2111	39URG18-2311	Red	Incandescent	28	.04A	7,000
39UR-2112	39UR-2312	Green	Neon	125	1/3W	25,000
39UHR-2112	39UHR-2312	Green	Neon	250	1/3W	25,000
39URG1-2112	39URG1-2312	Green	Incandescent	6	.20A	5,000
39URG3-2112	39URG3-2312	Green	Incandescent	14	.10A	10,000
39URG18-2112	39URG18-2312	Green	Incandescent	28	.04A	7,000
39UR-2113	39UR-2313	Amber	Neon	125	1/3W	25,000
39UHR-2113	39UHR-2313	Amber	Neon	250	1/3W	25,000
39URG1-2113	39URG1-2313	Amber	Incandescent	6	.20A	5,000
39URG3-2113	39URG3-2313	Amber	Incandescent	14	.10A	10,000
39URG18-2113	39URG18-2313	Amber	Incandescent	28	.04A	7,000
39UR-2114	39UR-2314	Blue	Neon	125	1/3W	25,000
39UHR-2114	39UHR-2314	Blue	Neon	250	1/3W	25,000
39URG1-2114	39URG1-2314	Blue	Incandescent	6	.20A	5,000
39URG3-2114	39URG3-2314	Blue	Incandescent	14	.10A	10,000
39URG18-2114	39URG18-2314	Blue	Incandescent	28	.04A	7,000
39UR-2115	39UR-2315	White	Neon	125	1/3W	25,000
39UHR-2115	39UHR-2315	White	Neon	250	1/3W	25,000
39URG1-2115	39URG1-2315	White	Incandescent	6	.20A	5,000
39URG3-2115	39URG3-2315	White	Incandescent	14	.10A	10,000
39URG18-2115	39URG18-2315	White	Incandescent	28	.04A	7,000
39UR-2117	39UR-2317	Clear	Neon	125	1/3W	25,000
39UHR-2117	39UHR-2317	Clear	Neon	250	1/3W	25,000
39URG1-2117	39URG1-2317	Clear	Incandescent	6	.20A	5,000
39URG3-2117	39URG3-2317	Clear	Incandescent	14	.10A	10,000
39URG18-2117	39URG18-2317	Clear	Incandescent	28	.04A	7,000

Snapfit Indicator Lights for 5/16" Dia. Mounting Hole

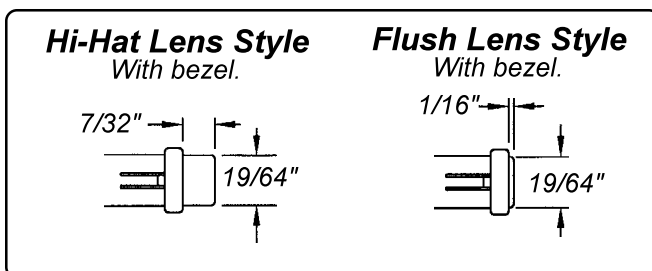
L39U SERIES
LED Indicator Lights
Zinc Plated Bezel
2 to 125 Design Volts
Snapfit Mounting
5/16" Mounting Hole



6" Wire Leads
Hi-hat or Flush Lens
White Housing
Mounting Ears
Variety of Lens Colors

Part Number With Hi-Hat Lens	Part Number With Flush Lens	Lens Color	DC Design Volts * AC Design Volts
L39UR-A2-2113	L39UR-A2-2313	Amber	2
L39UR-A6-2113	L39UR-A6-2313	Amber	6
L39UR-A12-2113	L39UR-A12-2313	Amber	12
L39UR-A24-2113	L39UR-A24-2313	Amber	24
L39UR-A125-2113	L39UR-A125-2313	Amber	125 *
L39UR-G2-2112	L39UR-G2-2312	Green	2
L39UR-G6-2112	L39UR-G6-2312	Green	6
L39UR-G12-2112	L39UR-G12-2312	Green	12
L39UR-G24-2112	L39UR-G24-2312	Green	24
L39UR-G125-2112	L39UR-G125-2312	Green	125 *
L39UR-R2-2111	L39UR-R2-2311	Red	2
L39UR-R6-2111	L39UR-R6-2311	Red	6
L39UR-R12-2111	L39UR-R12-2311	Red	12
L39UR-R24-2111	L39UR-R24-2311	Red	24
L39UR-R125-2111	L39UR-R125-2311	Red	125 *
L39UR-Y2-2116	L39UR-Y2-2316	Yellow	2
L39UR-Y6-2116	L39UR-Y6-2316	Yellow	6
L39UR-Y12-2116	L39UR-Y12-2316	Yellow	12
L39UR-Y24-2116	L39UR-Y24-2316	Yellow	24
L39UR-Y125-2116	L39UR-Y125-2316	Yellow	125 *

Polarity Determination - Wire Leads: Red wire lead denotes anode (+); black wire lead denotes cathode (-).



Can't find it here? We have many more standard and custom solutions

For further information, phone Customer Service at 800.522.5546.