

# Double Contact Candelabra Bayonet

## 57 SERIES

- DOUBLE CONTACT CANDELABRA BAYONET NON-GROUNDED LAMPHOLDERS
- 6" WIRE LEADS OR 1/4" TAB TERMINALS • BLACK POLYESTER HOUSING
- MAXIMUM RATING: 75 WATTS, 125 VOLTS
- UL LISTED • UL FILE E20356

### Overview

The 57 Series lampholders are constructed with a black polyester housing and two 1/4" tab terminals or two 6" wire leads. Lampholders are non-grounded. Many bracket and mounting options available. Lampholders are designed for use double contact candelabra bayonet lamps.

### Specifications

**Housing:** black polyester.

**Terminals:**

**1/4" tab:** beryllium copper, tin plated 1/4" length x 0.032" thick. Non-grounded units are supplied with two terminals.

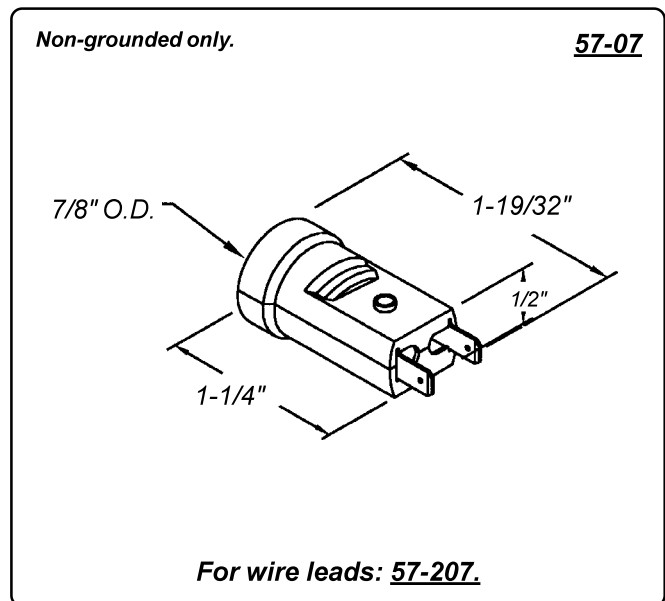
**Wire leads:**

**6" Leads:** #18 AWG, black, bare copper, PVC insulated, UL/CSA rated 105° C, stripped 1/2". Non-grounded units are supplied with two 6" wire leads. Custom wire lengths, stripping, termination and wire types are also available.

**Mounting:**

**Brackets:** .025" to .042" zinc plated steel. Custom brackets and plating types are available.

**Maximum rating:** 75 Watts, 125 Volts.



### Can't find it here? We have many more standard and custom solutions

The items in this product sheets are only a small representative sample of the complete VCC product line. We manufacture many additional products which are not shown in this product sheet due to space constraints.

Custom products can also be designed uniquely for you by our Technical Support Professionals. Starting from your ideas and specifications, we work with your personnel to develop timely and cost effective solutions for your miniature lighting needs.

VCC Technical Support Services are provided without charge and may include designs, prototypes and pre-production samples.

**For further information, phone Customer Service at 800.522.5546.**

# Double Contact Candelabra Bayonet

## 57 SERIES

UL Listed

Maximum Rating: 75 Watts, 125 Volts

Black Polyester Housing

Non-Grounded

6" Wire Leads or 1/4" Tab Terminals

